



**BAUER**

*FOR A GREEN WORLD*

# **MAGNUM SM**

**Pumps for Slurry and Viscous Liquids**





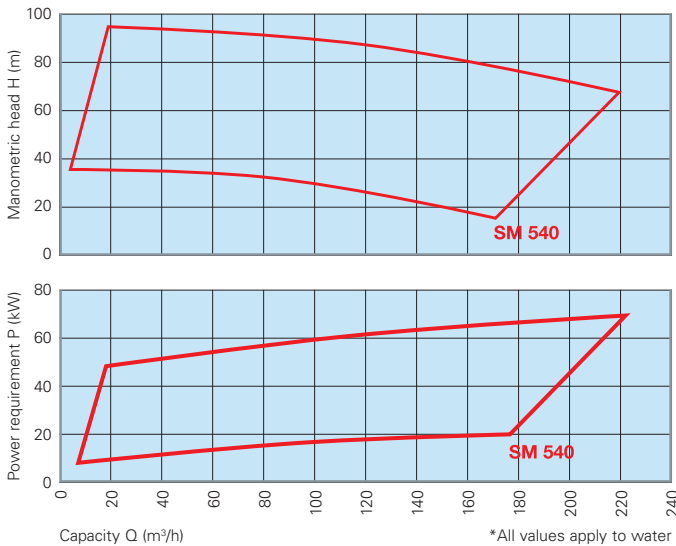
## Pumping and Chopping

**BAUER gear and pedestal pumps with the powerful chopper are suitable also for slurry or liquids with long fibres up to 12% solids.**

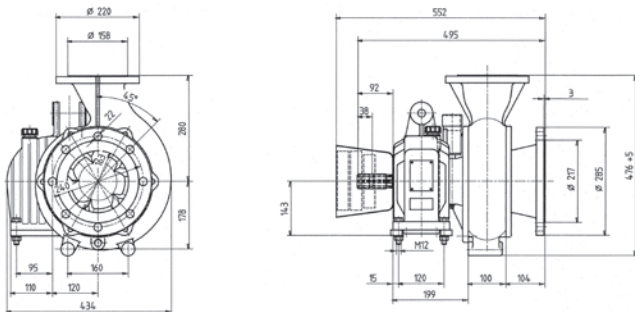
**Special open impeller blade design and large cross section guarantee maximum performance.**

### Performance range MAGNUM SM 540

Tractor gear pump with 540 rpm.



### Dimensions



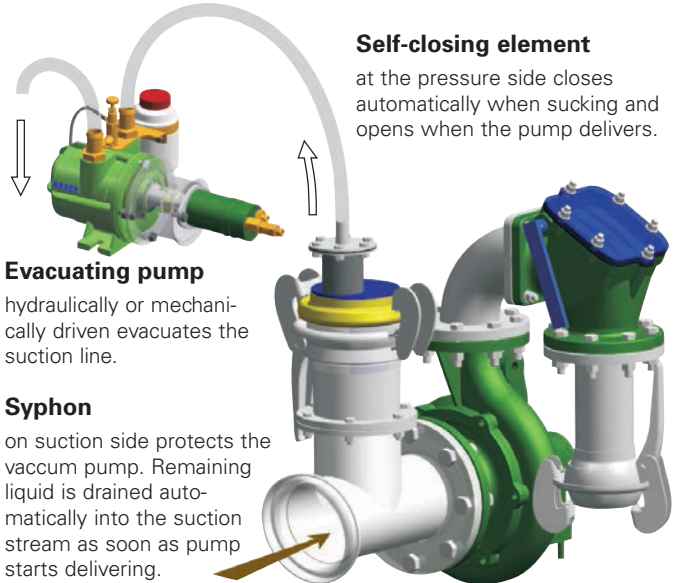
Your dealer:



Calle 132 # 50 - 45  
 Tel: (+57)(1) 626 1955 · 626 2797  
[www.comercialderiegos.com](http://www.comercialderiegos.com)  
[info@comercialderiegos.com](mailto:info@comercialderiegos.com)  
 Bogotá, Colombia

### Self-priming unit for centrifugal pump

- fills the suction line quickly and automatically
- works without manual valve application
- after the filling process the self-priming unit is deactivated



#### Self-closing element

at the pressure side closes automatically when sucking and opens when the pump delivers.

### Evacuating pump

hydraulically or mechanically driven evacuates the suction line.

### Syphon

on suction side protects the vacuum pump. Remaining liquid is drained automatically into the suction stream as soon as pump starts delivering.

### Technical data

MAGNUM	SM 540 L4	SM 540 L4-M
Driving power kW	up to 65	up to 45
Driving speed rpm	540	540
Capacity m³/h	40 – 200	40 – 200
Head m	95 – 70	72 – 52

### Accessories

#### Hoisting frame

for 3-point linkage, hot dip galvanized.



#### Pump trolley

vertically adjustable, hot galvanized.



Röhren- und Pumpenwerk BAUER Ges.m.b.H.  
 8570 Voitsberg, Austria  
 Phone +43 3142 200-0  
 Fax +43 3142 200-320 / -340  
[sales@bauer-at.com](mailto:sales@bauer-at.com)  
[www.bauer-at.com](http://www.bauer-at.com)

A BAUER Group company

