



HK COUPLING SYSTEM

BAUER COUPLINGS – THE SEAL WITH A WATERTIGHT REPUTATION



HK COUPLING SYSTEM

Unrivalled after 50 years of
development

ADVANTAGES

- **Fast**
A complete system quickly installed, even in the dark. No tools – no loose parts.
- **Flexibility**
With up to 30° articulation on coupling joint. Suction and pressure-proof, providing excellent flexibility of installation, ideal for difficult site conditions.
- **Strong and durable**
Produced from high-grade high-tensile steel, abrasion-resistant hot-dip galvanisation according to DIN 50976 – also stainless steel option.
- **Safe**
Suction and pressure-proof up to 20 bar with all types of media, subject to suitable seal material options.
- **Heat resistance**
Resists up to 110 °C with special seals.
- **Tensile resistance**
Suction and pressure-proof while subject to tensile stress.
- **Versatile**
Suitable for handling all types of products: hot dip galvanised or stainless steel product range. Special coatings on application.
- **Security**
With special locking pin system option.

Applications

Mining and tunneling, civil engineering projects, road construction, delivery of fresh water, waste water, and compressed air. Suction and delivery lines for site dewatering, on shore/offshore drilling, ship to ship/shore transfer.

In civil/military emergency, drinking water supply, disaster and fire control, temporary and emergency water supply lines, sewage, sludge, and waste disposal, by pass lines.

Exhaust gas emission, oil industry applications. Pneumatic conveyance systems for powder and granular materials. Vacuum loading and extraction systems.





Media

Potable drinking water, waste water, compressed air, gasses and exhaust fumes, sludge, mortar, bentonite, crude oil and oil products, pneumatic loading of powder materials, and many more, subject to suitable seal options.

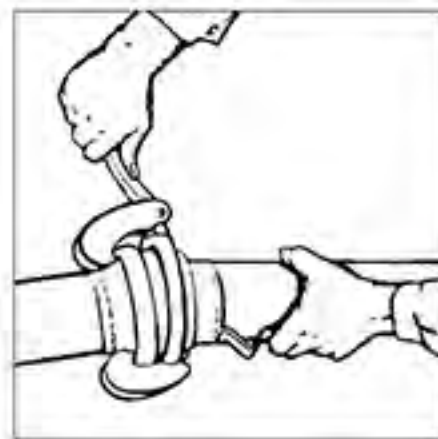
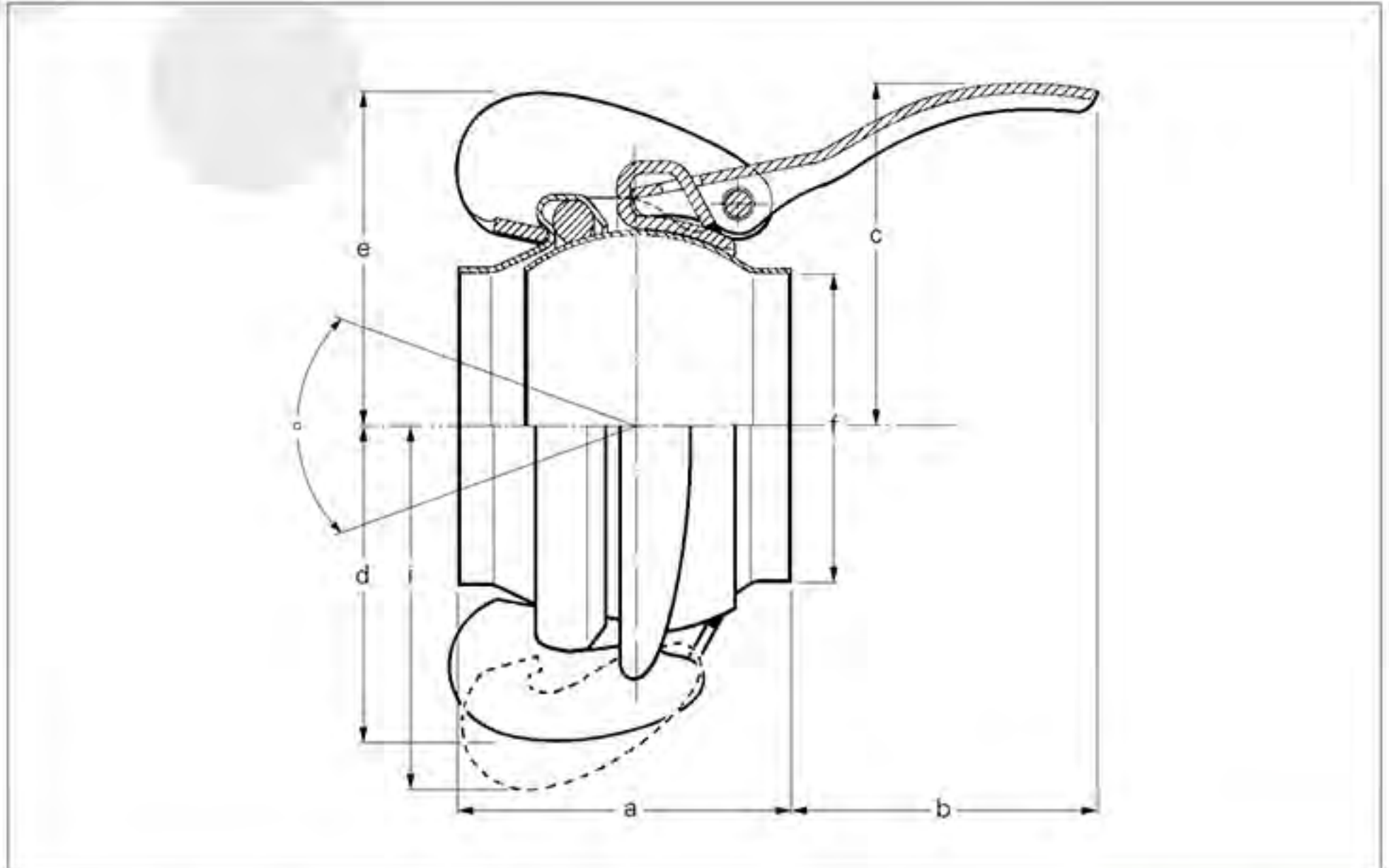
Stainless steel range suitable for food, pharmaceutical, and chemical industries.



HKS design

Special locking pin system – absolutely necessary for pressurized media and as a protection against unintentional opening.



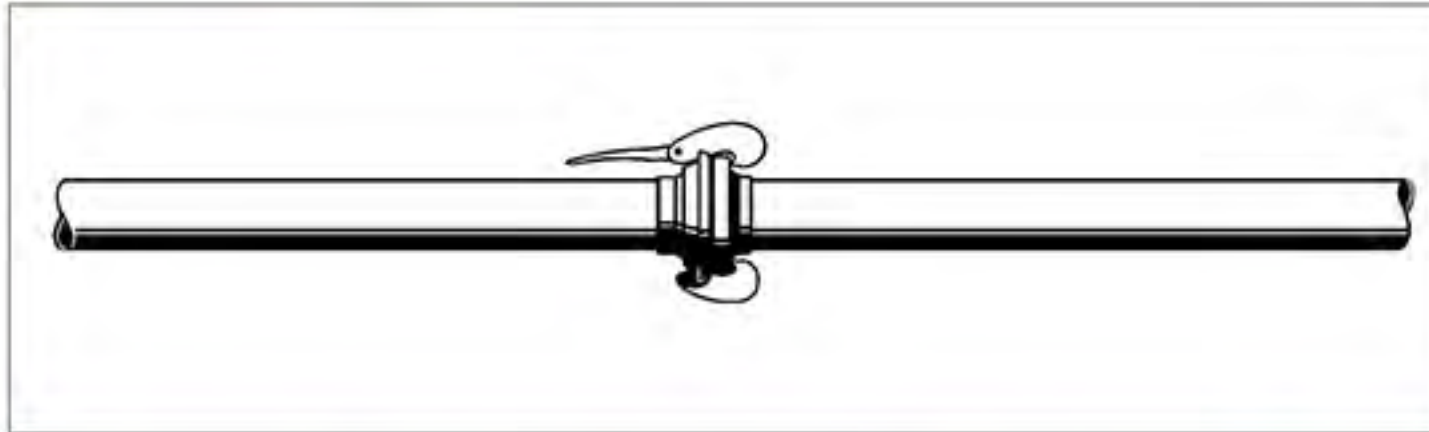


Unmatched efficiency

Genuine BAUER HK couplings are quickly and easily coupled/ uncoupled with a few simple hand movements, providing great flexibility of installation – even on difficult sites – with articulation on coupling joint up to 30°.

Dimension		a	b	c	d	e	f	g	h	i	PN bar
HK	inch										
50	2	68.7	93.7	80	65	53	45	30	30	80	20
76	3	90.2	118.6	85	90	95	76	30	30	120	12
89	3 1/2	114.1	104.4	116	101	107	89	30	30	130	20
108	4 1/4	127.3	136.0	114	115	123	108	30	30	150	12
133	5 1/4	122.7	162.5	141	130	137	133	20	20	170	12
159	6 1/4	135.8	148.8	157	152	149	159	20	20	195	12
194	7 1/4	160.7	143.7	186	180	177	194	40	40	215	12*

PIPE INSTALLATION SYSTEM



Genuine BAUER HK/HKS Quick-coupling Pipes, hot dip galvanised, standard length 6 m

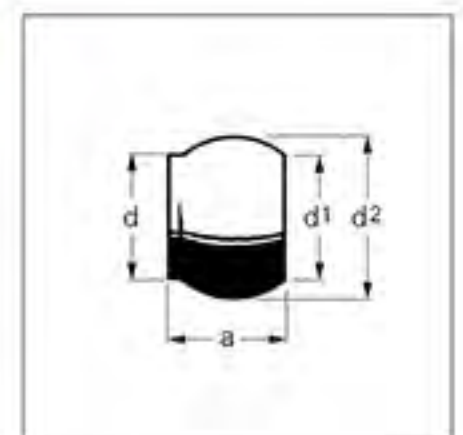
Dimension		Wall thickness mm		Weight kg/pipe		No. pipes	Weight/bundle kg		per pipe		per bundle	
HK	Inch	HK	HKS	HK	HKS		HK	HKS	HK	HKS	HK	HKS
50	2	0.70	1.50	6.30	12.80	150	961	1936	101 0116	155 0116	101 0096	155 0096
76	3	0.70	1.50	10.80	19.70	74	815	1474	109 0116	156 0116	109 0096	156 0096
89	3 1/2	0.70	1.50	13.70	23.40	45	633	1069	104 0116	161 0116	104 0096	161 0096
108	4 1/4	0.85	1.50	18.60	29.10	38	723	1122	105 0116	162 0116	105 0096	162 0096
133	5 1/4	1.00	1.50	25.90	38.20	26	689	1009	110 0116	158 0116	110 0096	158 0096
159	6 1/4	1.00	2.00	33.90	57.20	17	592	988	107 0116	159 0116	107 0096	159 0096
194	7 3/4	1.10	2.00	45.30	69.40	12	560	849	108 0116	160 0116	108 0096	160 0096

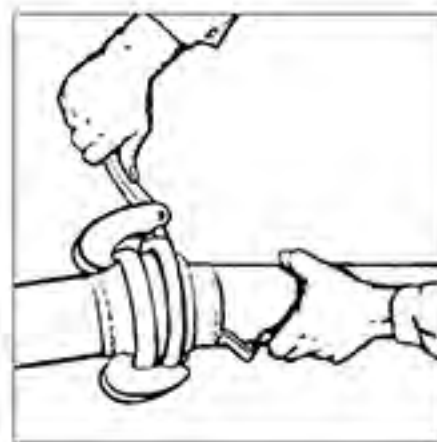
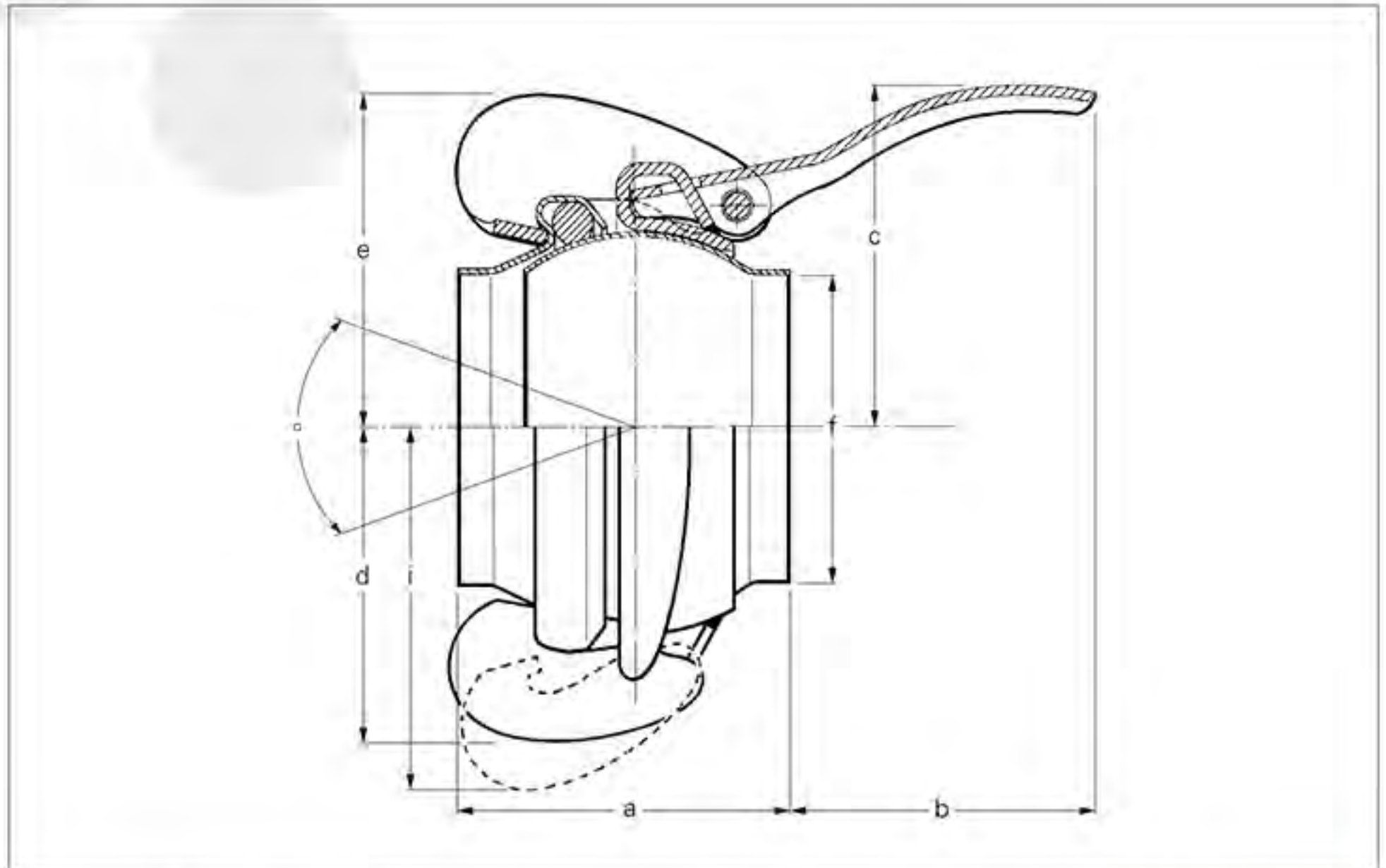
Genuine BAUER HK/HKS Fitting Pipes, hot dip galvanised, in lengths of 1, 2 and 3 m

Dimension		Weight kg	Pipe length 1 m		Pipe length 2 m			Pipe length 3 m			
HK	Inch		HK	Weight kg	HK	Weight kg	HK	Weight kg	HK	Weight kg	HK
50	2	1.55	101 0111	2.70	155 0111	2.60	101 0112	3.50	101 0113	6.70	155 0113
76	3	3.40	109 0111	4.70	156 0111	5.00	109 0112	6.70	109 0113	10.70	156 0113
89	3 1/2	4.15	104 0111	5.90	161 0111	6.00	104 0112	7.65	104 0113	12.70	161 0113
108	4 1/4	5.30	105 0111	7.80	162 0111	8.60	105 0112	11.40	105 0113	16.20	162 0113
133	5 1/4	9.40	110 0111	10.70	158 0111	11.70	110 0112	16.00	110 0113	21.70	158 0113
159	6 1/4	10.50	107 0111	15.30	159 0111	15.10	107 0112	19.90	107 0113	32.00	159 0113
194	7 3/4	16.70	108 0111	20.40	160 0111	22.90	108 0112	29.10	108 0113	40.20	160 0113

Genuine BAUER HK Ball S1

Dimension		a	d	d'	d''	Weight kg	PN bar	HK	HK	HK
HK	Inch							black	galvanised	stainl.steel
50	2	54	49.5	52	70	0.13	20	101 0182	101 0132	194 0182
76	3	73.5	76	78	97.5	0.26	12	109 0182	109 0132	199 0182
89	3 1/2	87	89	90	119.5	0.37	20	104 0182	104 0132	196 0182
108	4 1/4	104.5	108	111	144	0.69	12	105 0182	105 0132	195 0182
133	5 1/4	96.5	133	135	159.5	0.81	12	110 0182	110 0132	197 0182
159	6 1/4	119	159	154	179.5	1.29	12	107 0182	107 0132	197 0182
194	7 3/4	127	194	200	230	1.90	12*	108 0182	108 0132	198 0182



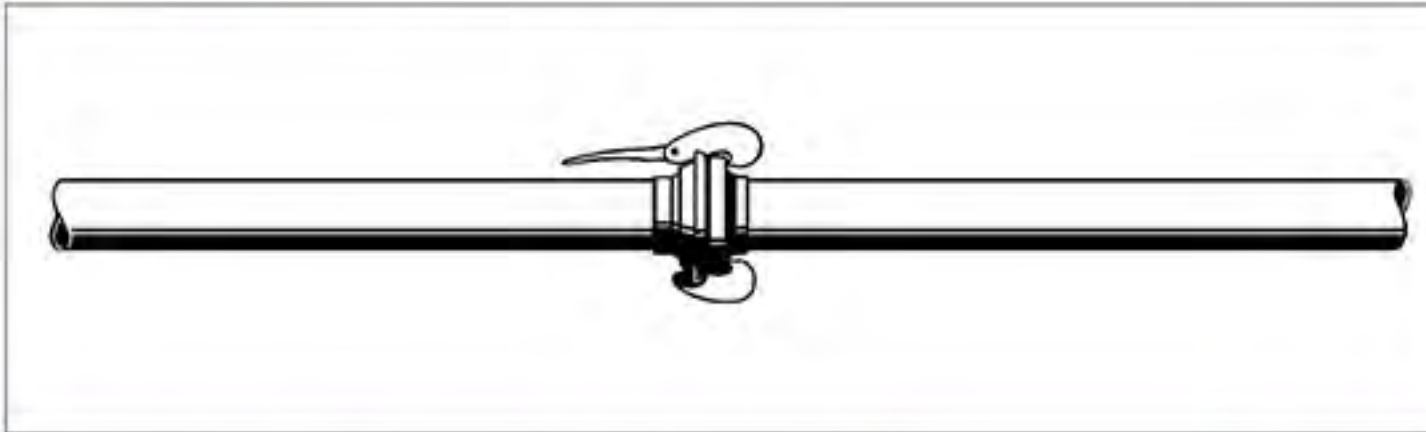


Unmatched efficiency

Genuine BAUER HK couplings are quickly and easily coupled/ uncoupled with a few simple hand movements, providing great flexibility of installation – even on difficult sites – with articulation on coupling joint up to 30°.

Dimension		a	b	c	d	e	f	h	i	PN bar
HK	inch									
50	2	69.7	93.7	80	65	63	45	30	80	20
76	3	90.2	118.6	85	90	95	76	30	120	12
89	3 1/2	114.1	104.4	116	101	107	89	30	130	20
108	4 1/4	127.3	136.0	114	115	123	108	30	150	12
133	5 1/4	122.7	162.5	141	130	137	133	20	170	12
159	6 1/4	135.8	148.8	157	152	149	159	20	195	12
194	7 1/2	160.7	143.7	186	180	177	194	20	215	12*

PIPE INSTALLATION SYSTEM



Genuine BAUER HK/HKS Quick-coupling Pipes, hot dip galvanised, standard length 6 m

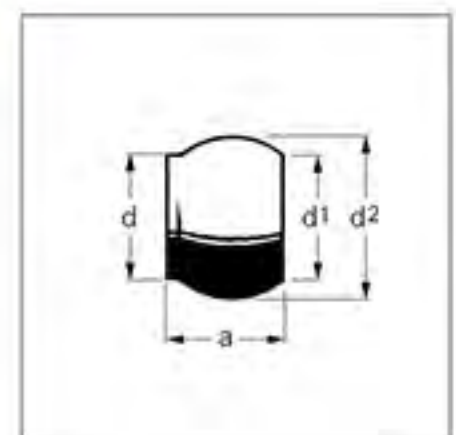
Dimension HK	Inch	Wall thickness mm		Weight kg/pipe		No. pipes	Weight/bundle kg		per pipe		per bundle	
		HK	HKS	HK	HKS		HK	HKS	HK	HKS	HK	HKS
50	2	0.70	1.50	6.30	12.80	150	961	1936	101 0116	155 0116	101 0096	155 0096
76	3	0.70	1.50	10.80	19.70	74	815	1474	109 0116	156 0116	109 0096	156 0096
89	3 1/2	0.70	1.50	13.70	23.40	45	633	1069	104 0116	161 0116	104 0096	161 0096
108	4 1/4	0.85	1.50	18.60	29.10	38	723	1122	105 0116	162 0116	105 0096	162 0096
133	5 1/4	1.00	1.50	25.90	38.20	26	689	1009	110 0116	158 0116	110 0096	158 0096
159	6 1/4	1.00	2.00	33.90	57.20	17	592	988	107 0116	159 0116	107 0096	159 0096
194	7 3/4	1.10	2.00	45.30	69.40	12	560	849	108 0116	160 0116	108 0096	160 0096

Genuine BAUER HK/HKS Fitting Pipes, hot dip galvanised, in lengths of 1, 2 and 3 m

Dimension HK	Inch	Weight kg	Pipe length 1 m		Pipe length 2 m			Pipe length 3 m			
			HK	Weight kg	HK	Weight kg	HK	Weight kg	HK	Weight kg	HK
50	2	1.55	101 0111	2.70	155 0111	2.60	101 0112	3.50	101 0113	6.70	155 0113
76	3	3.40	109 0111	4.70	156 0111	5.00	109 0112	6.70	109 0113	10.70	156 0113
89	3 1/2	4.15	104 0111	5.90	161 0111	6.00	104 0112	7.65	104 0113	12.70	161 0113
108	4 1/4	5.30	105 0111	7.80	162 0111	8.60	105 0112	11.40	105 0113	16.20	162 0113
133	5 1/4	9.40	110 0111	10.70	158 0111	11.70	110 0112	16.00	110 0113	21.70	158 0113
159	6 1/4	10.50	107 0111	15.30	159 0111	15.10	107 0112	19.90	107 0113	32.00	159 0113
194	7 3/4	16.70	108 0111	20.40	160 0111	22.90	108 0112	29.10	108 0113	40.20	160 0113

Genuine BAUER HK Ball S1

Dimension HK	Inch	a	d	d ¹	d ²	Weight kg	PN bar	HK	HK	HK
								black	galvanised	stainl.steel
50	2	54	49.5	52	70	0.13	20	101 0182	101 0132	194 0182
76	3	73.5	76	78	97.5	0.26	12	109 0182	109 0132	199 0182
89	3 1/2	87	89	90	119.5	0.37	20	104 0182	104 0132	196 0182
108	4 1/4	104.5	108	111	144	0.69	12	105 0182	105 0132	195 0182
133	5 1/4	96.5	133	135	159.5	0.81	12	110 0182	110 0132	197 0182
159	6 1/4	119	159	154	179.5	1.29	12	107 0182	107 0132	197 0182
194	7 3/4	127	194	200	230	1.90	12*	108 0182	108 0132	198 0182

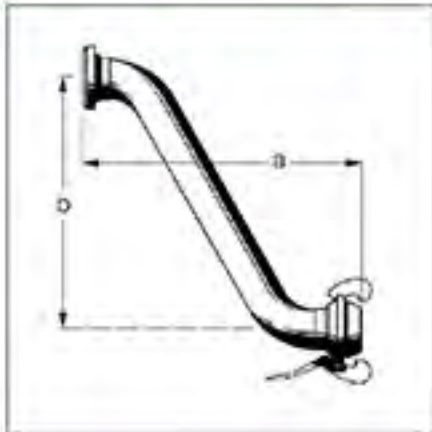


Genuine BAUER HK Bend 60° S12



Dimension		a	b	c	Weight kg	PN bar	HK galvanised	
HK	inch						HK stainless steel	
50	2	33.6	54.5	80	0.95	20	101 1201	
76	3	36	74	85	2.25	12	109 1201	
89	3 1/2	52.5	87	116	3.15	20	104 1201	
108	4 1/4	57	105	114	5.00	12	105 1201	
133	5 1/4	59	96	141	7.45	12	110 1201	
159	6 1/4	48.5	99	157	10.50	12	107 1201	
194	7 5/8	78	106	186	12.60	12*	108 1201	

Genuine BAUER HK „S“ Bend S18



Dimension		a	b	Weight kg	PN bar	HK galvanised	
HK	inch					HK stainless steel	
76	3	792	956	4.30	12	109 1501	
89	3 1/2	817	957	5.65	20	104 1501	
108	4 1/4	1007	1219	12.80	12	105 1501	
133	5 1/4	1510	2060	25.65	12	110 1501	
159	6 1/4	1550	2083	28.00	12	107 1501	
194	7 5/8	1710	2130	32.80	12*	108 1501	

Genuine BAUER HK Flanged Bend 90° with ball S19



Dimension		a	b	DN	PN bar	Weight kg	Flange	
HK	inch						Flange DIN	Flange BS10 table D
50	2	77	111.5	50	16			
89	3 1/2	113.5	200	80	16		-	-
89	3 1/2	113.5	200	3"			100 7637	
108	4 1/4	160	246	100	16	100 7068	-	-
108	4 1/4	160	246	4"			100 7636	100 6819
133	5 1/4	198	276	100	16	100 7068		
159	6 1/4	220	315	100	16	100 7965	-	-
159	6 1/4	220	315	150	16	100 7387	-	-
159	6 1/4	220	315	6"			100 7635	100 6818
194	7 5/8	279	381	200	16	100 7388	-	-
194	7 5/8	279	381	8"				100 6817

**Si quiere el catálogo completo,
solicítelo a través de nuestros canales
de comunicación a continuación o con
su asesor de venta.**

**Para más información, cotizaciones o
asesorías no dude en ponerse en
contacto con nosotros.**



Calle 132 # 50 - 45 Bogotá, Colombia
Tel: +(57)(1) 626 1955 · 626 2797
Cel: +(57) 310 5540766
info@comercialderiegos.com
www.comercialderiegos.com